

Elisa Ethernet Leased Line

Elisa Ethernet Leased Line Service provides the customer a point-to-point transmission channel using Ethernet technology. The service is located at layer two in the protocol stack reference model. Inherent to Ethernet technology, the service is transparent with regard to the higher protocol layers. The Ethernet virtual private line generated for the customer is closed, so traffic within the leased line is secured. Elisa Ethernet Leased Line service is available with multiple connection speeds nationwide in Finland and in selected International destinations.

Content of service

Ethernet Leased Line is composed of two end points (“subscriptions”) which are delivered to Customer sites, and of the logical channel (EVC, Ethernet Virtual Circuit) between them.

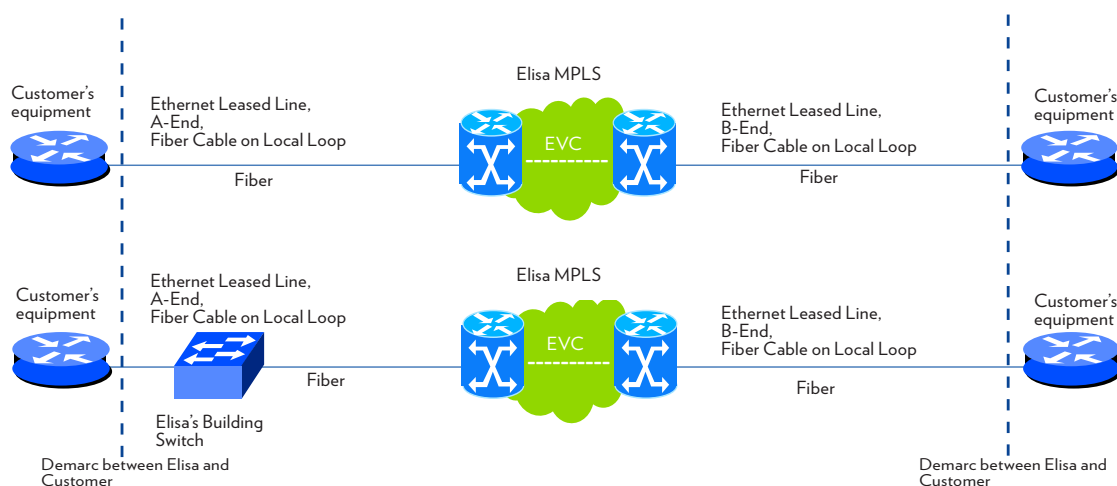
The content of Ethernet Leased Line service is the following:

- The handover interface of the is single mode fiber in the building distribution centre depends on the capacity and the length of the access fiber:
 - Maximum 1 Gbit/s capacities 1000Base-BX10-D, therefore CPE needs the 1000Base-BX10-U interface.

- Maximum 1 Gbit/s capacities and when the access fiber length exceeds 10 km, the handover interface is 1000Base-LX.
- 2 – 10 Gbit/s capacities 10GBase-BX10-D, therefore CPE needs the 10GBase-BX10-U interface.
- 2 – 10 Gbit/s capacities and when the access fiber length exceeds 10 km, the handover interface is 10GBASE-ER.
- Point-to-Point type of Ethernet switching between the two subscriptions in Best Effort Class of Service.
- SLA Basic Service Level

Service can be complemented with various additional features and/or services, as described later in this document. The service is technically based on Elisa’s domestic and international Multiprotocol Label Switching (MPLS) network. In the Elisa’s MPLS-network, the redundancy of the core network equipment are secured either at the device level - power supply, control/processor card - or with duplicated devices. Backbone fiber connections between equipment are diversified. Logical resiliency is based on the use of different protocols and mechanisms to ensure quick re-routing in case of failure.

Elisa Ethernet Leased Line reference framework, two examples



The handover interface is confirmed in the delivery confirmation/notification of completion. The nominal speed of the service is the same at both A-and and B-end.

One-time charge	
Delivery charge	€1250

Monthly charge	
Capacity 10M	€330
Capacity 20M	€365
Capacity 50M	€406
Capacity 100M	€490
Capacity 200M	€512
Capacity 500M	€578
Capacity 1G	€690
Capacity 2G	€780
Capacity 5G	€980
Capacity 10G	€1230

Ethernet Leased Line's both ends shall be situated in the same Elisa SMP area. Elisa SMP area and other areas will be priced according to the Elisa's offer.

The final availability will turn out in connection of an availability enquiry or an order. Prices apply to the connections to Elisa's existing network. If, after the conclusion of the agreement, the content or service solution of the agreement is changed or cancelled upon the request of the Customer, Elisa has the right to separately invoice the additional costs and work resulting from the change. This price list is valid from 20 March 2024. The prices quoted are exclusive of VAT. Taxes and any other official charges valid at any given time will be added to final prices. The prices quoted here do not include indoor network in properties. Elisa's General Terms for Operator products will be applied to the agreement.

Market areas according to Traficom's regulation

Elisa's SMP areas market 4							
Area 12							
Espoo	Hausjärvi	Helsinki	Inkoo	Järvenpää	Karkkila	Kerava	Kirkkonummi
Loppi	Nurmijärvi	Riihimäki	Sipoo	Siuntio	Tuusula	Vantaa	Vihti
Area 56							
Kotka							
Area 61							
Lempäälä	Nokia	Orivesi	Pirkkala	Tampere	Vesilahti	Ylöjärvi	
Area 4							
Alavieska	Haapavesi	Halsua	Kalajoki	Kannus	Kokkola	Kruunupyö	Lestijärvi
Merijärvi	Nivala	Oulainen	Pyhäjoki	Raah	Reisjärvi	Sievi	Siikajoki
Toholampi	Ylivieska						
Area 18							
Haapajärvi	Hankasalmi	Joutsa	Kannonkoski	Karstula	Keuruu	Kinnula	Kivijärvi
Konnevesi	Kyyjärvi	Kärsämäki	Laukaa	Multia	Pihtipudas	Pyhäjärvi	Pyhäntä
Saarijärvi	Siikalatva	Soini	Toivakka	Uurainen	Äänekoski		
Area 32							
Ilmajoki	Isojoki	Karjajoki	Kauhajoki	Kurikka	Laihia	Mustasaari	Teuva
Vaasa	Vöyri						
Area 33							
Ilomantsi	Joensuu	Kontiolahti	Liperi	Outokumpu	Polvijärvi	Rääkkylä	
Area 34							
Isokyrö	Kauhava	Kuortane	Lapua	Seinäjoki			
Area 37							
Juuka	Lieksa	Nurmes	Valtimo				
Area 65							
Luumäki							
Area 70							
Muurame							
Area 74							
Oripää	Pöytyä						
Area 75							
Paimio	Sauvo						
Area 81							
Raisio							
Area 86							
Suonenjoki							